

Distribution Unit with 1 IEC Appliance Inlet C14 and 4 Appliance Outlets F



Minibloc 4747

C14



70° C

F



70° C



Description

- Stand alone module
- 2 Functions:
of 4 outlets, Pin temperature 70 °C, Protection class I

Approvals

- CSA License Number: 56242

Characteristics

- Qualified for use in equipment according IEC/EN 60950

References

[General Product Information](#)

Weblinks

[Approvals](#), [RoHS](#), [CHINA-RoHS](#), [Mating Connectors](#), [e-Store](#), [Distributor-Stock-Check](#), [Accessories](#)

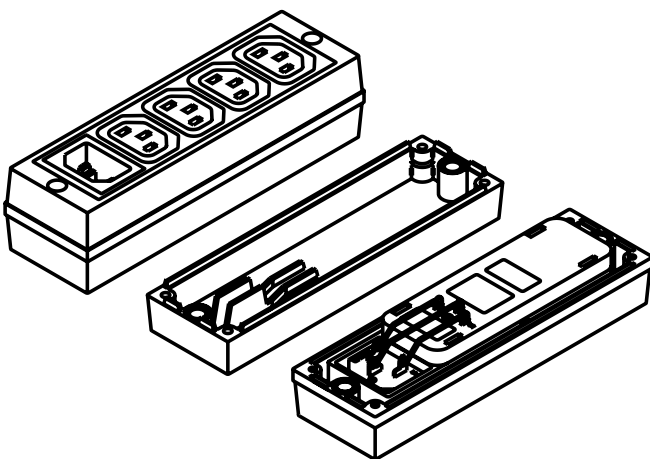
Technical Data

Ratings IEC	10A / 250VAC; 50Hz
Ratings UL/CSA	15A / 250VAC; 60Hz
Dielectric Strength	> 2 kVAC between L-N > 2 kVAC between L/N-PE (1 min/50Hz)
Allowable Operation Temp.	-25 °C to 70 °C
Protection Class	Suitable for appliances with protection class 1 acc. to IEC 61140
Material: Housing	Thermoplastic, black, UL 94V-0

Appliance Inlet / Appliance Outlet	C14 acc. to IEC/EN 60320-1, F acc. to IEC/EN 60320-2-2, UL 498 CSA C22.2 no. 42 (for cold conditions) pin-temperature 70 °C, 10A, Protection Class 1
------------------------------------	--

Dimensions

Minibloc 4747



Mounting holes for 3 mm screws on 135 mm centres
Dimensions: 147 mm long x 44 mm wide x 37 mm high

Variants

Terminal	Version with	Order Number
-	inlet	4747.0000

Packaging unit 30 Pcs

Mating Inlets/Plugs

Category / Description

[Interconnection Cord Overview complete](#)

Interconnection Cord with IEC Plug E, Angled	0607
Interconnection Cord with IEC Plug E, Angled	0608
Interconnection Cord with IEC Plug E, Straight	0609
Interconnection Cord with IEC Plug G, Angled	607B
Interconnection Cord with IEC Plug G, Angled	608B
Interconnection Cord further types to 4747	...

[Plug Overview complete](#)

IEC Plug E, Cord Connector (Rewireable), Straight, max. cable Diameter 8.5 mm	4732
IEC Plug E, Cord Connector (Rewireable), Angled, max. Cable Diameter 10 mm	4733
IEC Plug E, Cord Connector (Rewireable), Straight, max. Cable Diameter 10 mm	4735
IEC Plug E, Cord Connector (Rewireable), Angled, max. Cable Diameter 10 mm	4736
IEC Plug E, Cord Connector (Rewireable), Straight	9009
Plug further types to 4747	...

Mating Outlets/Connectors

[Appliance Outlet Overview complete](#)

IEC Appliance Outlet F, Screw-on Mounting, Front Side, Solder or Quick-connect Terminal	4787
IEC Appliance Outlet F, Snap-in Mounting, Front Side, Solder or Quick-connect Terminal	4788
IEC Appliance Outlet F or H, Screw-on Mounting, Front Side, Solder, PCB or Quick-connect Terminal	5091
IEC Appliance Outlet F or H, Screw-on Mounting, Front Side, Solder or Quick-connect Terminal	5092
Appliance Outlet further types to 4747	...

[Connector Overview complete](#)

IEC Connector C15, Rewireable, Straight	0101
IEC Connector C15A, Rewireable, Straight	0102
IEC Connector C15A, Rewireable, Straight	0102-G
IEC Connector C15A, Rewireable, Angled	0112
IEC Connector C13, Rewireable, Angled	4012
Connector further types to 4747	...

[Power Cord Overview complete](#)

Power Cord with IEC Connector C13, Angled	0311
Power Cord with IEC Connector C13, Angled	3011
Power Cord with IEC Connector C13, Angled	3012
Power Cord with IEC Connector C13, Angled	3013
Power Cord with IEC Connector C13	3020
Power Cord further types to 4747	...

[Power Supply or Interconnection Cord Overview complete](#)

Divers Power Supply and Interconnection Cords 10 A	Kabelverbindung/10 A
Power Supply or Interconnection Cord further types to 4747	...